



Access Control System

Access Control System

Overview :

Cybernetics Access control system is focused on allowing/restricting physical access to people to controlled facilities, limiting access within a facility and/or to specific assets, integrating various access control devices like EM locks, tripods, boom barrier. It also communicates and controls other electronic systems like fire alarm system, elevator control, CCTV and other electronic security systems.

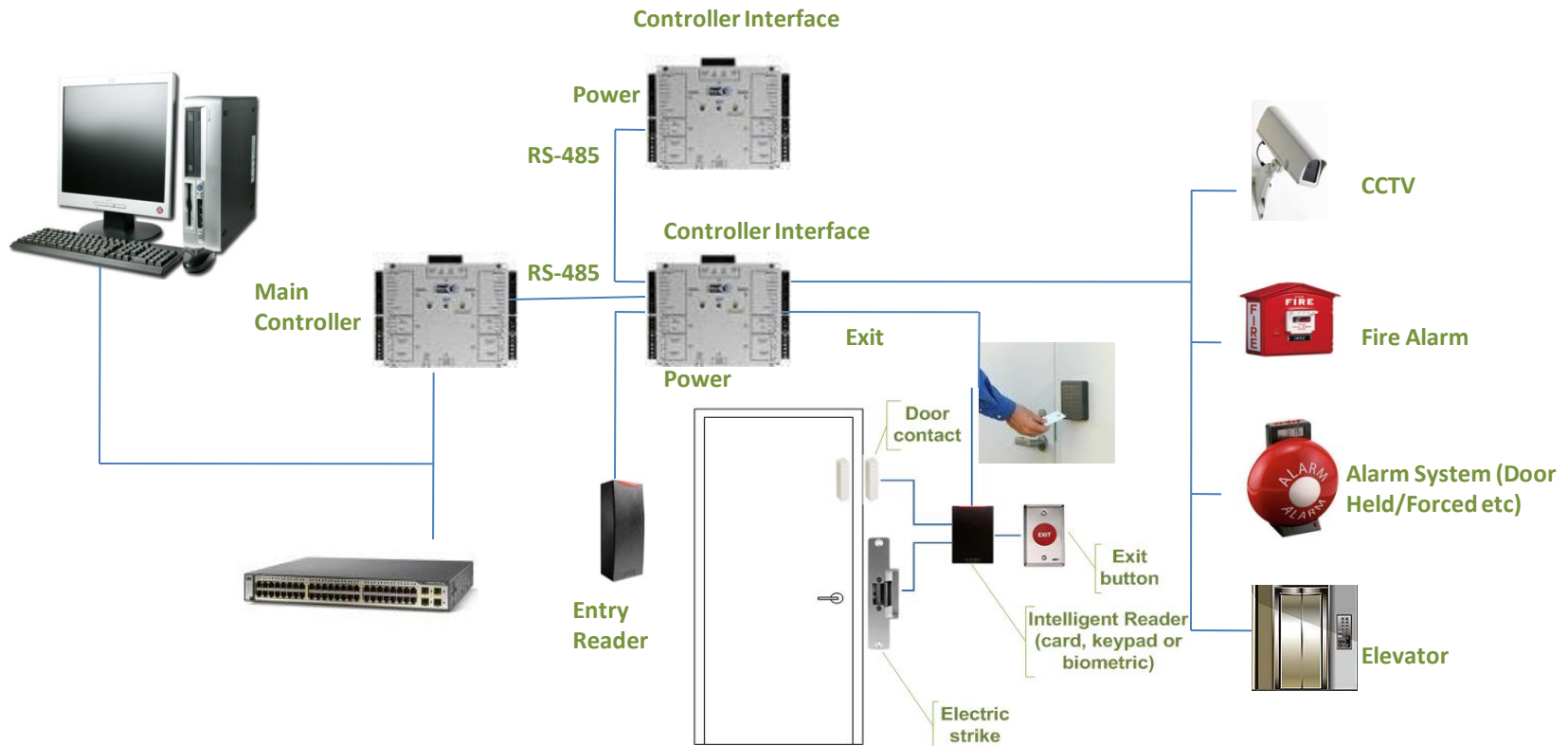
Cybernetics Access Control is a fully featured access control software which has been designed to integrate security features like access restriction, anti-passback, door interlocking, alarms monitoring & ease-of-use features like bulk data, Importing, bulk registration of credential , web-based reporting module etc. to form a powerful & advanced access control system



Access Control System

Access Control System

Functional Diagram:





Access Control System

Access Control System

Key Features :

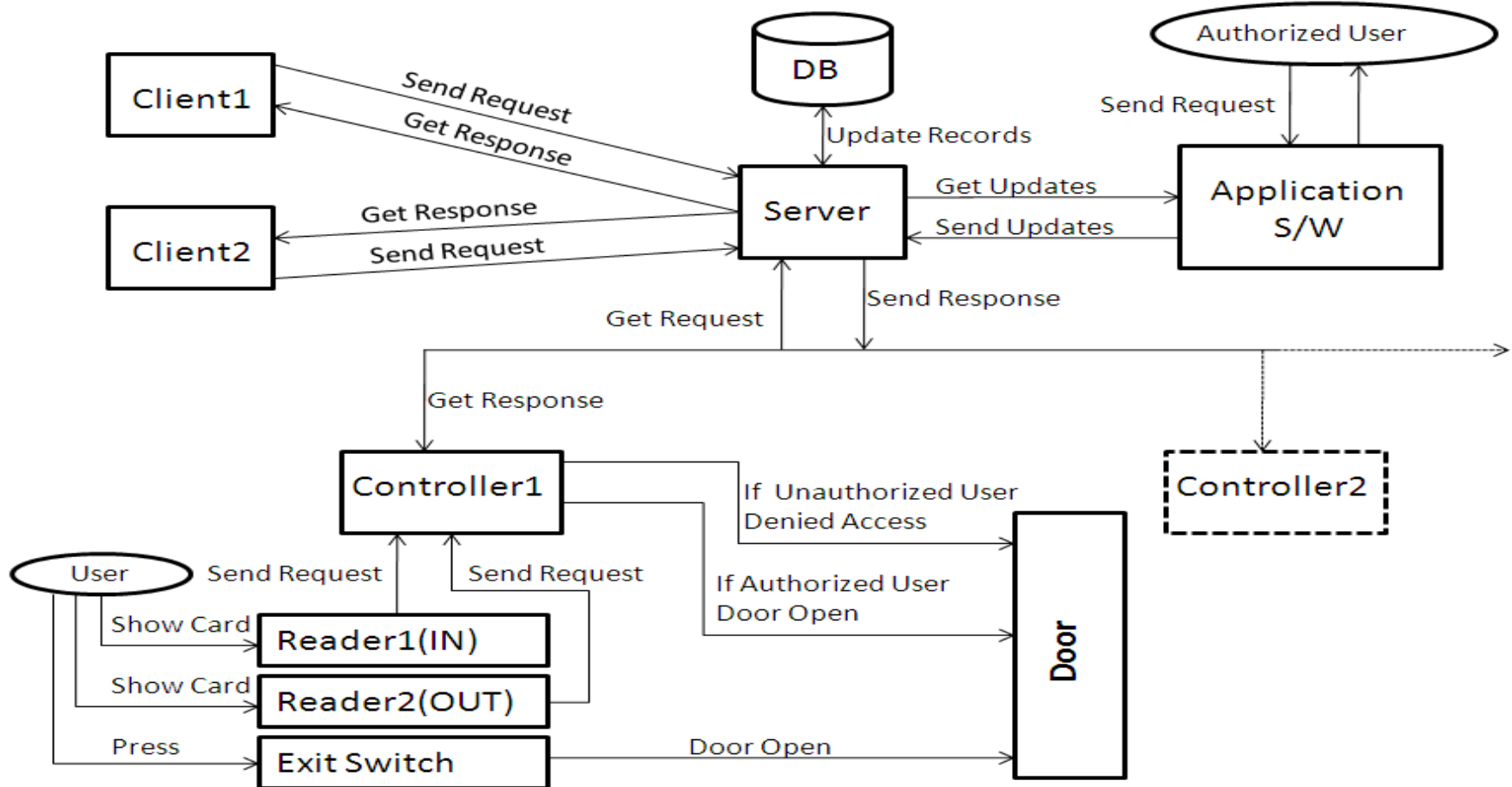
- Centralized, Flexible, Expandable architecture
- Multiple access groups, time zones, door groups, holiday groups
- Supports multiple card formats on same system
- Door held, Door forced alarms
- Door Interlocking
- User defined Input / Output integration
- Fire alarm system integration
- Door enabling, disabling
- Antipassback, Area Control
- Elevator Control
- **SMS integration – Open/close, enable/disable doors by sending sms**
- User defined alarms with SMS/popup to admin
- Comprehensive Reporting



Access Control System

Access Control System

Block Diagram:





Access Control System

Access Control System

Benefits:

▪ Scalability :

Access Control System has a modular architecture due to which unlimited expandability is possible. This allows you to start with a single location and grow to thousands of locations, while maintaining a single synchronized system.

▪ Multiple Card Format Support :

A number of card formats are supported in the system like HID I-Class, Proximity, Mi-fare etc.

▪ Intelligent Reporting :

A wide range of reports can be generated & exported in various formats like PDF, Excel, Word etc. Customized reports can also be generated as per the user requirement.

▪ Integrated Elevator Management:

Elevator Management is integrated with Access Control to provide secure & restricted access to various floors.

▪ Integrated Input/Output Management:

A number of inputs/outputs can be defined & integrated to control a variety of devices with the Access Control Software

▪ User Friendly :

Software has been designed in such a way as to be easy to use or operate:

- Simple to install
- Easy to update
- Efficient
- Easy to trouble-shoot
- Adheres to standard
- Effective error handling

▪ Alarm Management:

It guides users to improve their strategy & ensure full safety management system by detecting unsafe situations like fire alarms, door forced/held alarms, power/battery failure alarms etc.

▪ Integration with Time Attendance & Other Systems:

Centralized-integrated database allows direct integration with our Attendance system.

Visitor Management can also be directly integrated to provide a seamless & integrated solution.



Access Control System

Access Control System

Reports:

- Employee Access Master
- Access Granted
- Access Denied
- Input/Output Alarms
- First IN Last OUT
- Employee Registration
- Unknown Card Swipe
- Anti-passback
- Audit Log

Note: Sample Reports available on request.



Access Control System

Access Control System

System Requirement:

Web-browser Requirement(Any 1 of the following)

- Microsoft Internet Explorer version 8.0 or later
- Mozilla Firefox version 10 or later
- Apple Safari version 5 or later
- Google Chrome version 17 or later

Server Software Requirement(Any 1 of the following)

- Microsoft Windows Server 2003, any edition for x86 (32-bit) or x64 (64-bit) platform, with/without any Service Pack
- Microsoft Windows Server 2008, any edition for x86 (32-bit) or x64 (64-bit) platform, with/without any Service Pack
- Microsoft Windows 7, any edition for x86 (32-bit) or x64 (64-bit) platform, with/without any Service Pack
- Microsoft Windows XP with Service Pack 3

For Web server any 1 of the Windows Server version is recommended.

Database Requirement(Any 1 of the following)

- Microsoft SQL Server 2005, any edition, with/without any Service Pack
- Microsoft SQL Server 2008, any edition, with/without any Service Pack
- Microsoft SQL Server 2008 R2, any edition, with/without Service Pack

Supporting Software

- Microsoft .NET framework version 2.0 or later
- Microsoft Internet Information Services (IIS) 5.1 or later, depending on the underlying operating system
- Microsoft Windows Installer version 3.1 or later
- Crystal Reports for .Net Framework 4.0

Other Recommended Software

The following client software applications are recommended to access additional features:

- Adobe Acrobat Reader version 7 or higher is required to open documents exported from our software in PDF format.
- Microsoft Office 2007 or Microsoft Office 2003 with Microsoft Office 2007 compatibility pack is required to open documents exported from our software.

Hardware Requirement :

- Minimum: 2 GB of RAM, recommended: 4 GB of RAM
- 200 MB of available hard disk space

- Processor: Dual Core & Above
- Recommended Bandwidth: 512 Kbps & Above



Access Control System

Access Control System

Ordering Information:

<u>Model No</u>	<u>Description</u>
AT-ACS-1000	Access+time attendance software, Client Server Architecture, Includes 1 Server and 7 Client License, support upto 1000 Employees.
AT-ACS-5000	Access+time attendance software, client Server Architecture, Includes 1 Server and 20 Client License, support upto 5000 Employees.
AT-ACS Unlimited	Client Server Architecture Includes 1 Server & Unlimited Client, supports Unlimited Employees.
AT-ACS-U-4000	Up-grades Model AT-ACS-1000 to AT-ACS-5000
AT-ACS-U Unlimited	Up-grades AT-ACS-5000 to AT-ACS-Unlimited
AT-E-100	Access+Time attendance Software, Web base Architecture, Server, supports upto 100 employees
AT-E-500	Access+Time attendance Software, Web base Architecture, Server, supports upto 500 employees
AT-E-1000	Access+Time attendance Software, Web base Architecture, Server, supports upto 1000 employees.
AT-E-5000	Access+Time attendance Software, Web base Architecture, Server, supports upto 5000 employees.
AT-E-UNLIMITED	Access+Time attendance Software, Web base Architecture, Server, supports upto Unlimited employees.
AT-E-U-4000	Upgrades Model AT-E-1000 TO ATE-5000
AT-E-U-Unlimited	Upgrades Model AT-E-5000 TO AT-E-Unlimited